
NPE/NPE-F REPAIR PARTS

TABLE OF CONTENTS

NPE END SUCTION

NPE Product Line Numbering System.....	1
NPE Seal Chart (Part of Numbering System).....	1
Parts List	2
Optional Components	2
Pictorial Breakdown of Pump	3
Impeller Chart Standard Impeller by Impeller Code	4
Impeller Chart by Motor Size at 3500 RPM	4
Motor Chart	5

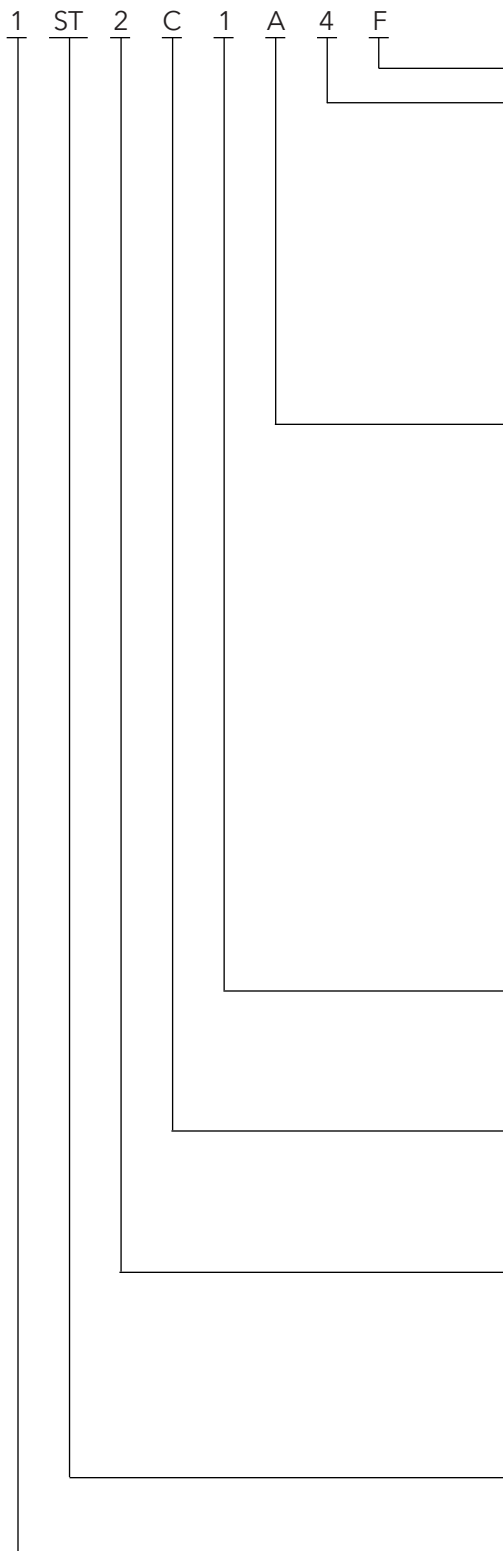
NOTE:

For units built before September, 1997

The following upgrades are interchangeable.

- (1) Item 349 Guidevane O-Ring was upgraded from O-Ring to Square Seal Ring.
- (2) Pump Components have been upgraded from 304 SS to 316L SS.
- (3) Mechanical Seal upgrades as noted on page 1.
- (4) Pump Mounting location for motor adapter with foot to pump support are interchangeable.

NPE/NPE-F NUMBERING SYSTEM



SEAL VENT/FLUSH OPTION MECHANICAL SEAL and O-RING

4 = Pre-Engineered Standard. For Optional Mechanical Seal modify catalog order no. with Seal Code listed below.

21 Mechanical Seal (5/8" seal)						
Seal Code	Rotary	Stationary	Elastomers	Metal Parts	Part No.	Casing O-Ring
2	Carbon	Sil-Carbide	EPR	316 SS	10K18	EPR
4			Viton		10K55	Viton
5	Sil-Carbide		EPR		10K81	EPR
6			Viton		10K62	Viton

Impeller Option Code . . . No Adder Required

For Optional Impeller Diameters modify catalog order no. with Impeller code listed below.

Select Optional Impeller Diameter from Pump Performance Curve.

Impeller Code	Pump Size		
	1 x 1¼-6 Diameter	1¼ x 1½-6 Diameter	1½ x 2-6 Diameter
K		6⅛	
G		5 ¹⁵ / ₁₆	5 ³ / ₈
H		5½	5
A	6⅛	5¼	4¾
B	5¾	5 ¹ / ₁₆	4 ⁵ / ₈
C	5 ³ / ₁₆	4 ⁷ / ₈	4 ³ / ₈
D	4¾	4 ⁵ / ₈	4 ¹ / ₁₆
E	4 ⁷ / ₁₆	4¼	3 ⁵ / ₈
F	4 ¹ / ₁₆	3 ⁷ / ₈	

Note: Not recommended for operation beyond printed H-Q curve.

For critical application conditions, consult factory.

Note: Not all combinations of motor, impeller and seal options are available for every pump model. Please check with factory on non-cataloged numbers.

Note: Impeller diameter is measured at the vane. The overall diameter of the shroud may be greater.

DRIVER

1 = 1PH, ODP 4 = 1 PH, TEFC 7 = 3 PH, XP
 2 = 3 PH, ODP 5 = 3 PH, TEFC 8 = 575 V, XP
 3 = 575 V, ODP 6 = 575 V, TEFC 0 = 1 PH, XP

HP RATING

C = ½ HP F = 1½ HP J = 5 HP
 D = ¾ HP G = 2 HP
 E = 1 HP H = 3 HP

DRIVER: HERTZ/POLE/RPM

1 = 60 HZ, 2 pole, 3500 RPM
 2 = 60 HZ, 4 pole, 1750 RPM
 3 = 60 HZ, 6 pole, 1150 RPM
 4 = 50 HZ, 2 pole, 2900 RPM
 5 = 50 HZ, 4 pole, 1450 RPM

MATERIAL

ST = Stainless Steel

PUMP SIZE

1 = 1 x 1¼ - 6 2 = 1¼ x 1½ - 6 3 = 1½ x 2 - 6

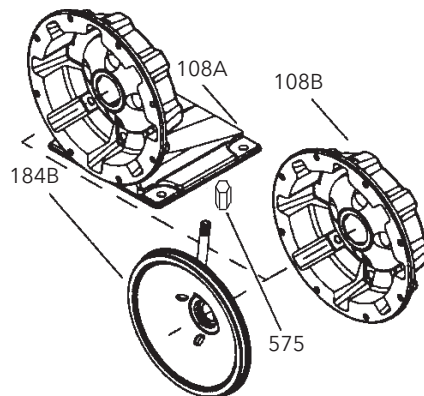
For Frame Mounted version, substitute the letters "FRM" in these positions.

NPE STANDARD REPAIR PARTS LIST

Item No.	Description	Materials of Construction	1ST 1 x 1 1/4	2ST 1 1/4 x 1 1/2	3ST 1 1/2 x 2	QUANTITY
100	Casing	AISI 316L SS	1L81	1L82	1L83	1
101	Impeller		See Impeller chart on page 4			1
108A	Motor adapter with foot*		1L80	1		
108B	Motor adapter less foot*		1L87			
123	Deflector	BUNA-N	5K7		1	
184A	Seal housing standard	AISI 316L SS	1L79		1	
184B	Seal housing with seal flush		1L333			
240	Motor support	300 SS	4L320		1	
	Rubber channel	Rubber	9K188		1	
304	Impeller locknut	AISI 316 SS	13K286		1	
347	Guidevane	AISI 316L SS	3L23	3L24	3L25	1
349	Seal ring, guidevane	Viton standard	5K269	5K270		1
		EPR	5K273	5K274		
		BUNA	5K271	5K272		
370	Socket head screw, casing	AISI 410 SS	13L65		8	
371	Bolts, motor	Steel/plated	13K252		4	
383	Mechanical seal	See Mechanical Seal Chart on Page 11				
408	Drain and vent plug, casing	AISI 316 SS	6L3		2	
412B	O-ring, drain plugs	Viton, standard	5L99		2	
		EPR	5L80			
		BUNA	5L62			
513	O-ring, casing	Viton standard	5K206		1	
		EPR	5K193			
		BUNA	5K4			
575	Pipe Cap	304 SS	6K150		1	

* Flush access hole provided.

NOTE:
OPTIONAL SEAL FLUSH COMPONENTS

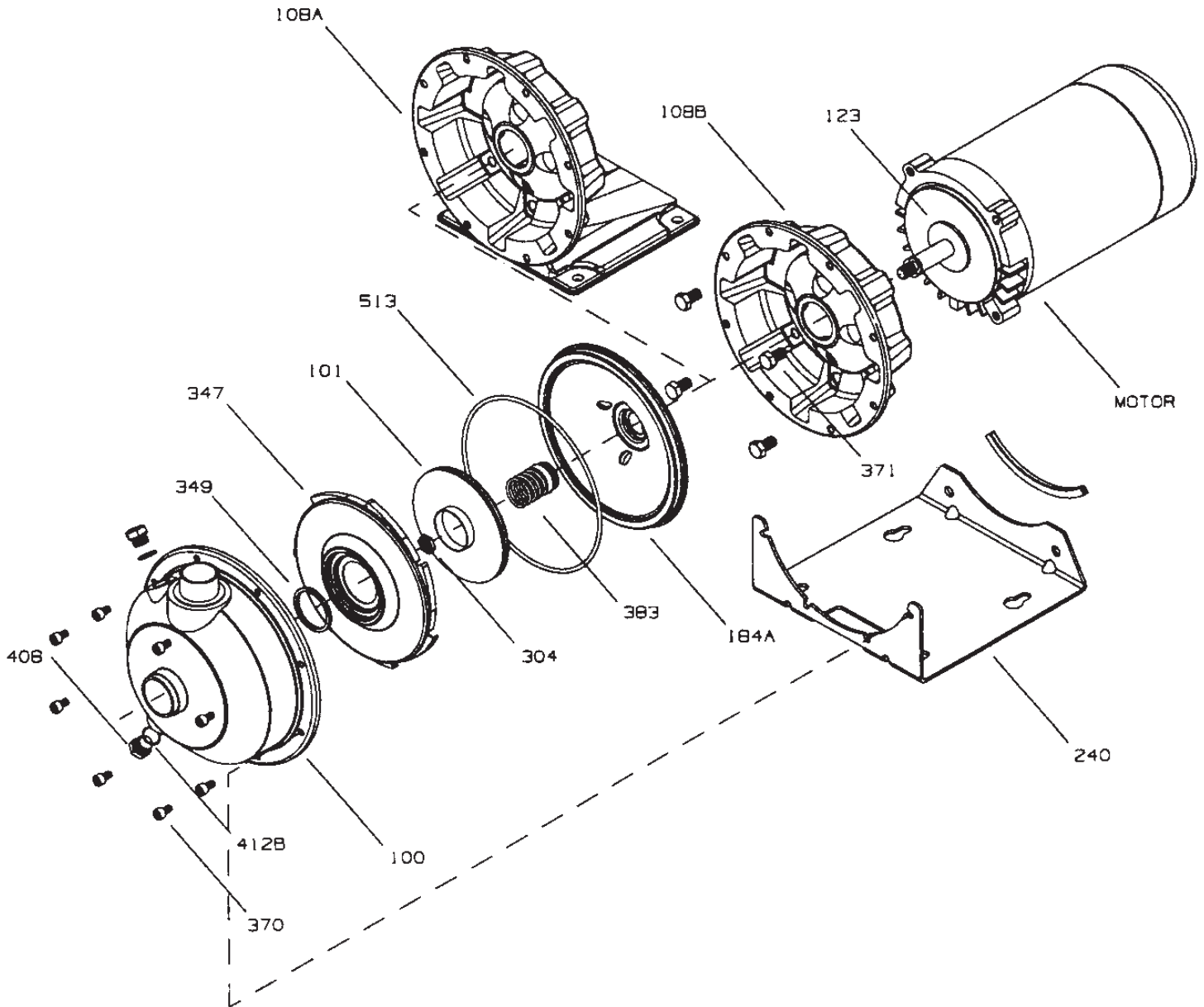


NOTE:

Close-coupled units using motors 1/2 - 1 HP (TEFC and ODP) will use footed motor adapter as standard.
 Close-coupled units using motors 1 1/2 - 3 HP (TEFC and ODP) will use footless motor adapter as standard.
 Close-coupled units using motors 5 HP and all X-Proof will have a foot attached to the motor.

NOTE:

Frame mounted units (NPE-F) utilize the XS Power Frame and motor adapter less foot. For repair parts for the power frame refer to the XS-Power Frame repair parts page in the parts section of your catalog. To order the power frame complete order item 14L61.



NPE STANDARD IMPELLERS

Impeller Code	Pump Size					
	1 x 1¼-6		1¼ x 1½-6		1½ x 2-6	
	Diameter	Part No.	Diameter	Part No.	Diameter	Part No.
K			6⅞	2K1221		
G			5⅞	2K1206	5⅞	2K1209
H			5½	2K1205	5	2K1208
A	6⅞	2K1203	5¼	2K1216	4¾	2K1220
B	5¾	2K1202	5⅞	2K1204	4⅞	2K1207
C	5¾	2K1201	4⅞	2K1215	4⅞	2K1219
D	4¾	2K1200	4⅞	2K1214	4⅞	2K1218
E	4⅞	2K1199	4¼	2K1213	3⅞	2K1217
F	4⅞	2K1211	3⅞	2K1212		

NPE STANDARD IMPELLERS BY MOTOR SIZE AT 3500 RPM

For ODP/TEFC Units Built After September 1, 1997

HP	HP Code		1ST		2ST		3ST	
			ODP/TEFC		ODP/TEFC		ODP/TEFC	
½	C	Repair #	2K1199					
		Dia.	4⅞					
		Imp. Code	E					
¾	D	Repair #	2K1200		2K1212			
		Dia.	4¾		3⅞			
		Imp. Code	D		F			
1	E	Repair #	2K1201		2K1213		2K1217	
		Dia.	5⅞		4¼		3⅞	
		Imp. Code	C		E		E	
1½	F	Repair #	2K1202		2K1214		2K1218	
		Dia.	5¾		4⅞		4⅞	
		Imp. Code	B		D		D	
2	G	Repair #	2K1203		2K1215		2K1219	
		Dia.	6⅞		4⅞		4⅞	
		Imp. Code	A		C		C	
3	H	Repair #	2K1203		2K1216		2K1220	
		Dia.	6⅞		5¼		4¾	
		Imp. Code	A		A		A	
5	J	Repair #			2K1206	2K1221	2K1209	
		Dia.			5⅞	6⅞	5⅞	
		Imp. Code			G	K	G	

For Current Explosion Proof and All Units Built Before September 1, 1997

HP	HP Code		1ST		2ST		3ST	
			ODP	TEFC/EXP	ODP	TEFC/EXP	ODP	TEFC/EXP
½	C	Repair #	2K1199	2K1211				
		Dia.	4⅞	4⅞				
		Imp. Code	E	F				
¾	D	Repair #	2K1200	2K1199	2K1212			
		Dia.	4¾	4⅞	3⅞			
		Imp. Code	D	E	F			
1	E	Repair #	2K1201	2K1200	2K1213	2K1212	2K1217	
		Dia.	5⅞	4¾	4¼	3⅞	3⅞	
		Imp. Code	C	D	E	F	E	
1½	F	Repair #	2K1202	2K1201	2K1214	2K1213	2K1218	2K1217
		Dia.	5¾	5⅞	4⅞	4¼	4⅞	3⅞
		Imp. Code	B	C	D	E	D	E
2	G	Repair #	2K1203	2K1202	2K1215	2K1214	2K1219	2K1218
		Dia.	6⅞	5¾	4⅞	4⅞	4⅞	4⅞
		Imp. Code	A	B	C	D	C	D
3	H	Repair #	2K1203	2K1203	2K1216	2K1204	2K1220	2K1207
		Dia.	6⅞	6⅞	5¼	5⅞	4¾	4⅞
		Imp. Code	A	A	A	B	A	B
5	J	Repair #			2K1206	2K1221	2K1209	
		Dia.			5⅞	6⅞	5⅞	
		Imp. Code			G	K	G	

Note:** Max. Explosion Proof rating is 2 HP.

NPE CLOSE-COUPLED MOTORS

MODEL NPE 3500 RPM

HP	Single-Phase, 60 Hz, 115/230 V**, 56J Frame								
	Open, Drip-Proof ①			Totally Enclosed, Fan Cooled			Explosion Proof		
	Order No.	Max. Amps	Wt. (lbs.)	Order No.	Max. Amps	Wt. (lbs.)	Order No.	Max. Amps	Wt. (lbs.)
½	E04853S	10.0/5.0	16	E04821S	6.2/3.1	21	BBC04825	6.2/3.1	47
¾	E05853S	14.0/7.0	19	E05821S	8.8/4.4	24	BBC05825	8.8/4.4	41
1	E06853S	16.0/8.0	22	E06821S	11.6/5.8	26	BBC06825	11.6/5.8	49
1½	E07858S	21.4/10.7	31	E07821S	16.2/8.1	35	BBC07825	16.2/8.1	56
2	E08854S	26.8/13.4	36	E08821S	20.8/10.4	39	BBC08825	20.8/10.4	60
3	E09854S	14.0	40	E09821S	11.89	44			
5	E10754S	14.4	55						

Note:** 3 and 5 HP Single-Phase motors are 230 V only.

HP	Three-Phase, 60 Hz, 208-230/460 V, 56J Frame								
	Open, Drip-Proof ①			Totally Enclosed, Fan Cooled			Explosion Proof		
	Order No.	Max. Amps	Wt. (lbs.)	Order No.	Max. Amps	Wt. (lbs.)	Order No.	Max. Amps	Wt. (lbs.)
½	E04873S	2.6/1.3	19	E04876S	1.9/1.95	18	BBC04875	1.9/1.95	27
¾	E05873S	3.4/1.7	19	E05876S	2.3/1.15	21	BBC05875	2.3/1.15	30
1	E06873S	4.2/2.1	22	E06876S	3.2/1.6	21	BBC06875	3.2/1.6	30
1½	E07878S	5.8/2.9	25	E07876S	4.8/2.4	27	BBC07875	4.8/2.4	37
2	E08874S	6.9/3.3	39	E08876S	5.4/2.7	33	BBC08875	5.4/2.7	44
3	E09874S	7.2/3.6	31	E09876S	7.6/3.8	37			
5	E10774S	7.2/14.4	50	E10876S	6.2/12.4	48			

① For vertical mounting order motor canopy separately - 9K272 for ½, ¾ and 1 HP single phase or 9K273 for all other ODP motors.

MODEL NPE 1750 RPM

HP	Single-Phase, 60 HZ, 115/230 V, 56J Frame								
	Open, Drip-Proof ①			Totally Enclosed, Fan Cooled			Explosion Proof		
	Order No.	Max. Amps	Wt. (lbs.)	Order No.	Max. Amps	Wt. (lbs.)	Order No.	Max. Amps	Wt. (lbs.)
½	E04811	8.6/4.3	19	E04812	8.0/4.0	20	BBC04815	8.0/4.0	45

HP	Three-Phase, 60 HZ, 208-230/460 V, 56J Frame								
	Open, Drip-Proof ①			Totally Enclosed, Fan Cooled			Explosion Proof		
	Order No.	Max. Amps	Wt. (lbs.)	Order No.	Max. Amps	Wt. (lbs.)	Order No.	Max. Amps	Wt. (lbs.)
½	E04831	3.76/4.0/2.0	20	E04832	1.77/1.6/1.8	20	BBC04835	1.77/1.6/1.8	45

Note: Explosion Proof Motors are class 1 and 2, Group D

Xylem |'zīləm|

- 1) The tissue in plants that brings water upward from the roots;
- 2) a leading global water technology company.

We're 12,700 people unified in a common purpose: creating innovative solutions to meet our world's water needs. Developing new technologies that will improve the way water is used, conserved, and re-used in the future is central to our work. We move, treat, analyze, and return water to the environment, and we help people use water efficiently, in their homes, buildings, factories and farms. In more than 150 countries, we have strong, long-standing relationships with customers who know us for our powerful combination of leading product brands and applications expertise, backed by a legacy of innovation.

For more information on how Xylem can help you, go to www.xylem.com



Xylem Inc.
2881 East Bayard Street Ext., Suite A
Seneca Falls, NY 13148
Phone: (800) 453-6777
Fax: (888) 322-5877
www.gouldswatertechnology.com

Goulds is a registered trademark of Goulds Pumps, Inc. and is used under license.
© 2012 Xylem Inc. RNPE R1 July 2013